



24 ~ 50W AC-DC Single Output and Medical Type Desktop

MES50A series



■ Features :

- Universal AC input / Full range
- 3 pole AC inlet IEC320-C14
- Class I power (with earth pin)
- Full output 3~48V safety approval
- Protections: Short circuit / Overload / Over voltage / Over temp.
- Fully enclosed plastic case
- Fix switching frequency and regulation
- Topology: Top switch circuit
- LED indicator for power on
- Approvals: UL / CUL / TUV / CB / CE
- 2 years warranty

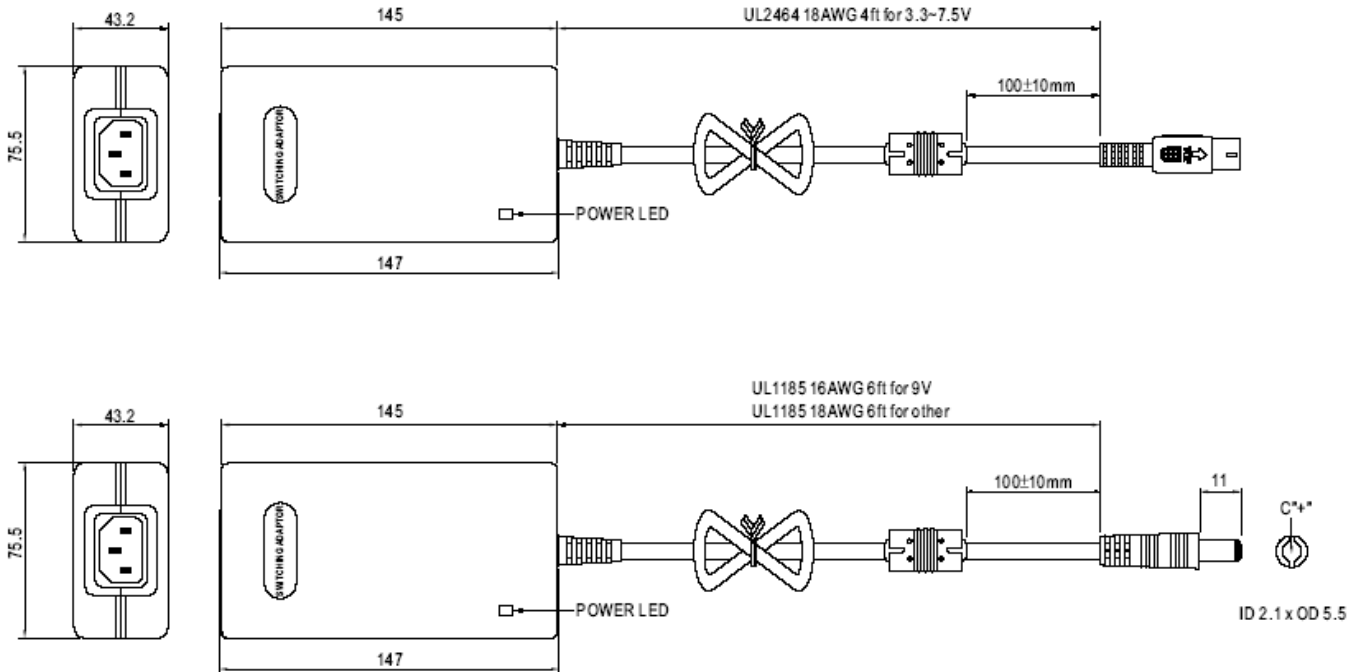


SPECIFICATION

ORDER NO.	MES50A-0R1B	MES50A-1R1B	MES50A-1-1R1B	MES50A-2P1J	MES50A-3P1J	MES50A-4P1J	MES50A-5P1J	MES50A-6P1J	MES50A-7P1J	MES50A-8P1J																																																																																																																										
OUTPUT	<table border="1"> <tr> <td>SAFETY MODEL NO.</td> <td>MES50A-0</td> <td>MES50A-1</td> <td>MES50A-1-1</td> <td>MES50A-2</td> <td>MES50A-3</td> <td>MES50A-4</td> <td>MES50A-5</td> <td>MES50A-6</td> <td>MES50A-7</td> <td>MES50A-8</td> </tr> <tr> <td>DC VOLTAGE <small>Note.2</small></td> <td>3.3V</td> <td>5V</td> <td>7.5V</td> <td>9V</td> <td>12V</td> <td>15V</td> <td>18V</td> <td>24V</td> <td>28V</td> <td>48V</td> </tr> <tr> <td>RATED CURRENT</td> <td>7.5A</td> <td>7.5A</td> <td>5.33A</td> <td>5.0A</td> <td>4.16A</td> <td>3.33A</td> <td>2.77A</td> <td>2.08A</td> <td>1.78A</td> <td>1.04A</td> </tr> <tr> <td>CURRENT RANGE</td> <td>0 ~ 7.5A</td> <td>0 ~ 7.5A</td> <td>0 ~ 5.33A</td> <td>0 ~ 5.0A</td> <td>0 ~ 4.16A</td> <td>0 ~ 3.33A</td> <td>0 ~ 2.77A</td> <td>0 ~ 2.08A</td> <td>0 ~ 1.78A</td> <td>0 ~ 1.04A</td> </tr> <tr> <td>RATED POWER</td> <td>24.75W</td> <td>37.5W</td> <td>40W</td> <td>45W</td> <td>50W</td> <td>50W</td> <td>50W</td> <td>50W</td> <td>50W</td> <td>50W</td> </tr> <tr> <td>RIPPLE & NOISE (max.) <small>Note.3</small></td> <td>50mVp-p</td> <td>50mVp-p</td> <td>75mVp-p</td> <td>90mVp-p</td> <td>100mVp-p</td> <td>100mVp-p</td> <td>150mVp-p</td> <td>150mVp-p</td> <td>150mVp-p</td> <td>200mVp-p</td> </tr> <tr> <td>VOLTAGE ADJ. RANGE</td> <td colspan="10">Fixed</td> </tr> <tr> <td>VOLTAGE TOLERANCE <small>Note.4</small></td> <td>±10%</td> <td>±6.0%</td> <td>±5.0%</td> <td>±5.0%</td> <td>±3.0%</td> <td>±3.0%</td> <td>±3.0%</td> <td>±2.0%</td> <td>±2.0%</td> <td>±2.0%</td> </tr> <tr> <td>LINE REGULATION <small>Note.5</small></td> <td>±1.0%</td> <td>±1.0%</td> <td>±1.0%</td> <td>±1.0%</td> <td>±1.0%</td> <td>±1.0%</td> <td>±1.0%</td> <td>±1.0%</td> <td>±1.0%</td> <td>±1.0%</td> </tr> <tr> <td>LOAD REGULATION <small>Note.6</small></td> <td>±10%</td> <td>±6.0%</td> <td>±5.0%</td> <td>±5.0%</td> <td>±3.0%</td> <td>±3.0%</td> <td>±3.0%</td> <td>±2.0%</td> <td>±2.0%</td> <td>±2.0%</td> </tr> <tr> <td>SETUP, RISE, HOLD UP TIME</td> <td colspan="10">300ms, 50ms, 16ms at full load</td> </tr> </table>											SAFETY MODEL NO.	MES50A-0	MES50A-1	MES50A-1-1	MES50A-2	MES50A-3	MES50A-4	MES50A-5	MES50A-6	MES50A-7	MES50A-8	DC VOLTAGE <small>Note.2</small>	3.3V	5V	7.5V	9V	12V	15V	18V	24V	28V	48V	RATED CURRENT	7.5A	7.5A	5.33A	5.0A	4.16A	3.33A	2.77A	2.08A	1.78A	1.04A	CURRENT RANGE	0 ~ 7.5A	0 ~ 7.5A	0 ~ 5.33A	0 ~ 5.0A	0 ~ 4.16A	0 ~ 3.33A	0 ~ 2.77A	0 ~ 2.08A	0 ~ 1.78A	0 ~ 1.04A	RATED POWER	24.75W	37.5W	40W	45W	50W	50W	50W	50W	50W	50W	RIPPLE & NOISE (max.) <small>Note.3</small>	50mVp-p	50mVp-p	75mVp-p	90mVp-p	100mVp-p	100mVp-p	150mVp-p	150mVp-p	150mVp-p	200mVp-p	VOLTAGE ADJ. RANGE	Fixed										VOLTAGE TOLERANCE <small>Note.4</small>	±10%	±6.0%	±5.0%	±5.0%	±3.0%	±3.0%	±3.0%	±2.0%	±2.0%	±2.0%	LINE REGULATION <small>Note.5</small>	±1.0%	±1.0%	±1.0%	±1.0%	±1.0%	±1.0%	±1.0%	±1.0%	±1.0%	±1.0%	LOAD REGULATION <small>Note.6</small>	±10%	±6.0%	±5.0%	±5.0%	±3.0%	±3.0%	±3.0%	±2.0%	±2.0%	±2.0%	SETUP, RISE, HOLD UP TIME	300ms, 50ms, 16ms at full load									
SAFETY MODEL NO.	MES50A-0	MES50A-1	MES50A-1-1	MES50A-2	MES50A-3	MES50A-4	MES50A-5	MES50A-6	MES50A-7	MES50A-8																																																																																																																										
DC VOLTAGE <small>Note.2</small>	3.3V	5V	7.5V	9V	12V	15V	18V	24V	28V	48V																																																																																																																										
RATED CURRENT	7.5A	7.5A	5.33A	5.0A	4.16A	3.33A	2.77A	2.08A	1.78A	1.04A																																																																																																																										
CURRENT RANGE	0 ~ 7.5A	0 ~ 7.5A	0 ~ 5.33A	0 ~ 5.0A	0 ~ 4.16A	0 ~ 3.33A	0 ~ 2.77A	0 ~ 2.08A	0 ~ 1.78A	0 ~ 1.04A																																																																																																																										
RATED POWER	24.75W	37.5W	40W	45W	50W	50W	50W	50W	50W	50W																																																																																																																										
RIPPLE & NOISE (max.) <small>Note.3</small>	50mVp-p	50mVp-p	75mVp-p	90mVp-p	100mVp-p	100mVp-p	150mVp-p	150mVp-p	150mVp-p	200mVp-p																																																																																																																										
VOLTAGE ADJ. RANGE	Fixed																																																																																																																																			
VOLTAGE TOLERANCE <small>Note.4</small>	±10%	±6.0%	±5.0%	±5.0%	±3.0%	±3.0%	±3.0%	±2.0%	±2.0%	±2.0%																																																																																																																										
LINE REGULATION <small>Note.5</small>	±1.0%	±1.0%	±1.0%	±1.0%	±1.0%	±1.0%	±1.0%	±1.0%	±1.0%	±1.0%																																																																																																																										
LOAD REGULATION <small>Note.6</small>	±10%	±6.0%	±5.0%	±5.0%	±3.0%	±3.0%	±3.0%	±2.0%	±2.0%	±2.0%																																																																																																																										
SETUP, RISE, HOLD UP TIME	300ms, 50ms, 16ms at full load																																																																																																																																			
INPUT	<table border="1"> <tr> <td>VOLTAGE RANGE</td> <td colspan="10">90 ~ 264VAC 135~370VDC</td> </tr> <tr> <td>FREQUENCY RANGE</td> <td colspan="10">47~63Hz</td> </tr> <tr> <td>EFFICIENCY (Typ.)</td> <td>60%</td> <td>67%</td> <td>70%</td> <td>72%</td> <td>74%</td> <td>75%</td> <td>78%</td> <td>78%</td> <td>80%</td> <td>80%</td> </tr> <tr> <td>AC CURRENT</td> <td colspan="10">1.5A / 100VAC</td> </tr> <tr> <td>INRUSH CURRENT (max.)</td> <td colspan="10">90A / 230VAC</td> </tr> <tr> <td>LEAKAGE CURRENT (max.)</td> <td colspan="10">0.5mA / 240VAC</td> </tr> </table>											VOLTAGE RANGE	90 ~ 264VAC 135~370VDC										FREQUENCY RANGE	47~63Hz										EFFICIENCY (Typ.)	60%	67%	70%	72%	74%	75%	78%	78%	80%	80%	AC CURRENT	1.5A / 100VAC										INRUSH CURRENT (max.)	90A / 230VAC										LEAKAGE CURRENT (max.)	0.5mA / 240VAC																																																																
VOLTAGE RANGE	90 ~ 264VAC 135~370VDC																																																																																																																																			
FREQUENCY RANGE	47~63Hz																																																																																																																																			
EFFICIENCY (Typ.)	60%	67%	70%	72%	74%	75%	78%	78%	80%	80%																																																																																																																										
AC CURRENT	1.5A / 100VAC																																																																																																																																			
INRUSH CURRENT (max.)	90A / 230VAC																																																																																																																																			
LEAKAGE CURRENT (max.)	0.5mA / 240VAC																																																																																																																																			
PROTECTION	<table border="1"> <tr> <td>OVERLOAD</td> <td colspan="5">112 ~ 250% rated output power</td> <td colspan="5">150 ~ 350% rated output power</td> </tr> <tr> <td></td> <td colspan="10">Protection type : Hiccup mode, recovers automatically after fault condition is removed</td> </tr> <tr> <td>OVER VOLTAGE</td> <td colspan="10">110 ~ 150% rated output voltage</td> </tr> <tr> <td></td> <td colspan="10">Protection type : Hiccup mode, recovers automatically after fault condition is removed</td> </tr> <tr> <td>OVER TEMPERATURE</td> <td colspan="10">Tj 135°C typically (IC1) detect on main control IC</td> </tr> <tr> <td></td> <td colspan="10">Protection type : Shut down o/p voltage, recovers automatically after temperature goes down</td> </tr> </table>											OVERLOAD	112 ~ 250% rated output power					150 ~ 350% rated output power						Protection type : Hiccup mode, recovers automatically after fault condition is removed										OVER VOLTAGE	110 ~ 150% rated output voltage											Protection type : Hiccup mode, recovers automatically after fault condition is removed										OVER TEMPERATURE	Tj 135°C typically (IC1) detect on main control IC											Protection type : Shut down o/p voltage, recovers automatically after temperature goes down																																																																
OVERLOAD	112 ~ 250% rated output power					150 ~ 350% rated output power																																																																																																																														
	Protection type : Hiccup mode, recovers automatically after fault condition is removed																																																																																																																																			
OVER VOLTAGE	110 ~ 150% rated output voltage																																																																																																																																			
	Protection type : Hiccup mode, recovers automatically after fault condition is removed																																																																																																																																			
OVER TEMPERATURE	Tj 135°C typically (IC1) detect on main control IC																																																																																																																																			
	Protection type : Shut down o/p voltage, recovers automatically after temperature goes down																																																																																																																																			
ENVIRONMENT	<table border="1"> <tr> <td>WORKING TEMP.</td> <td colspan="10">0 ~ +65°C (Refer to output load derating curve)</td> </tr> <tr> <td>WORKING HUMIDITY</td> <td colspan="10">20% ~ 90% RH non-condensing</td> </tr> <tr> <td>STORAGE TEMP., HUMIDITY</td> <td colspan="10">-20 ~ +85°C, 10 ~ 95% RH</td> </tr> <tr> <td>TEMP. COEFFICIENT</td> <td colspan="10">±0.03% / °C (0 ~ 50°C)</td> </tr> <tr> <td>VIBRATION</td> <td colspan="10">10 ~ 500Hz, 2G 10min./1cycle, period for 60min. each along X, Y, Z axes</td> </tr> </table>											WORKING TEMP.	0 ~ +65°C (Refer to output load derating curve)										WORKING HUMIDITY	20% ~ 90% RH non-condensing										STORAGE TEMP., HUMIDITY	-20 ~ +85°C, 10 ~ 95% RH										TEMP. COEFFICIENT	±0.03% / °C (0 ~ 50°C)										VIBRATION	10 ~ 500Hz, 2G 10min./1cycle, period for 60min. each along X, Y, Z axes																																																																											
WORKING TEMP.	0 ~ +65°C (Refer to output load derating curve)																																																																																																																																			
WORKING HUMIDITY	20% ~ 90% RH non-condensing																																																																																																																																			
STORAGE TEMP., HUMIDITY	-20 ~ +85°C, 10 ~ 95% RH																																																																																																																																			
TEMP. COEFFICIENT	±0.03% / °C (0 ~ 50°C)																																																																																																																																			
VIBRATION	10 ~ 500Hz, 2G 10min./1cycle, period for 60min. each along X, Y, Z axes																																																																																																																																			
SAFETY & EMC (Note.7)	<table border="1"> <tr> <td>SAFETY STANDARDS</td> <td colspan="10">UL2601-1, IEC60601-1, EN60601-1 approved</td> </tr> <tr> <td>WITHSTAND VOLTAGE</td> <td colspan="10">I/P-O/P: 5656VDC, I/P-FG: 2828VDC</td> </tr> <tr> <td>ISOLATION RESISTANCE</td> <td colspan="10">I/P-O/P, I/P-FG: 100M Ohms / 500VDC / 25°C / 70% RH</td> </tr> <tr> <td>EMI CONDUCTION & RADIATION</td> <td colspan="10">Compliance to EN55011(CISPR11) class B</td> </tr> <tr> <td>HARMONIC CURRENT</td> <td colspan="10">Compliance to EN61000-3-2,3</td> </tr> <tr> <td>EMS IMMUNITY</td> <td colspan="10">Compliance to EN60601-1-2 (EN61000-4-2, 3, 4, 5, 6, 8, 11) light industry level, criteria A</td> </tr> </table>											SAFETY STANDARDS	UL2601-1, IEC60601-1, EN60601-1 approved										WITHSTAND VOLTAGE	I/P-O/P: 5656VDC, I/P-FG: 2828VDC										ISOLATION RESISTANCE	I/P-O/P, I/P-FG: 100M Ohms / 500VDC / 25°C / 70% RH										EMI CONDUCTION & RADIATION	Compliance to EN55011(CISPR11) class B										HARMONIC CURRENT	Compliance to EN61000-3-2,3										EMS IMMUNITY	Compliance to EN60601-1-2 (EN61000-4-2, 3, 4, 5, 6, 8, 11) light industry level, criteria A																																																																
SAFETY STANDARDS	UL2601-1, IEC60601-1, EN60601-1 approved																																																																																																																																			
WITHSTAND VOLTAGE	I/P-O/P: 5656VDC, I/P-FG: 2828VDC																																																																																																																																			
ISOLATION RESISTANCE	I/P-O/P, I/P-FG: 100M Ohms / 500VDC / 25°C / 70% RH																																																																																																																																			
EMI CONDUCTION & RADIATION	Compliance to EN55011(CISPR11) class B																																																																																																																																			
HARMONIC CURRENT	Compliance to EN61000-3-2,3																																																																																																																																			
EMS IMMUNITY	Compliance to EN60601-1-2 (EN61000-4-2, 3, 4, 5, 6, 8, 11) light industry level, criteria A																																																																																																																																			
OTHERS	<table border="1"> <tr> <td>MTBF</td> <td colspan="10">----</td> </tr> <tr> <td>DIMENSION</td> <td colspan="10">147*75.5*43.2mm (L*W*H)</td> </tr> <tr> <td>PACKING</td> <td colspan="10">0.55Kg ; 36pcs / 21Kg / CARTON</td> </tr> </table>											MTBF	----										DIMENSION	147*75.5*43.2mm (L*W*H)										PACKING	0.55Kg ; 36pcs / 21Kg / CARTON																																																																																																	
MTBF	----																																																																																																																																			
DIMENSION	147*75.5*43.2mm (L*W*H)																																																																																																																																			
PACKING	0.55Kg ; 36pcs / 21Kg / CARTON																																																																																																																																			
CONNECTOR	<table border="1"> <tr> <td>PLUG</td> <td colspan="10">See page 2, Other type available by customer requested</td> </tr> <tr> <td>CABLE</td> <td colspan="10">See page 2, Other type available by customer requested</td> </tr> </table>											PLUG	See page 2, Other type available by customer requested										CABLE	See page 2, Other type available by customer requested																																																																																																												
PLUG	See page 2, Other type available by customer requested																																																																																																																																			
CABLE	See page 2, Other type available by customer requested																																																																																																																																			
NOTE	<ol style="list-style-type: none"> All parameters are specified at 230VAC input, rated load, 25°C 70% RH ambient. DC voltage: The output voltage set at point measure by plug terminal & 50% load. Ripple & noise are measured at 20MHz by using a 12" twisted pair terminated with a 0.1uf & 47uf capacitor. Tolerance: includes set up tolerance, line regulation, load regulation. Line regulation is measured from low line to high line at rated load. Load regulation is measured from 0% to 100% rated load. The power supply is considered a component which will be installed into a final equipment. The final equipment must be re-confirmed that it still meets EMC directives. 																																																																																																																																			

Mechanical Specification

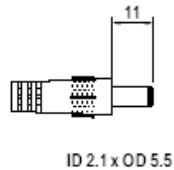
Unit:mm



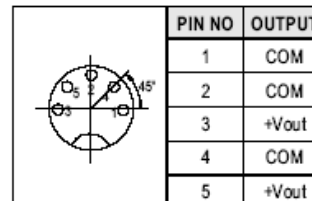
Plug Assignment

Standard plug: Others P1J (option)

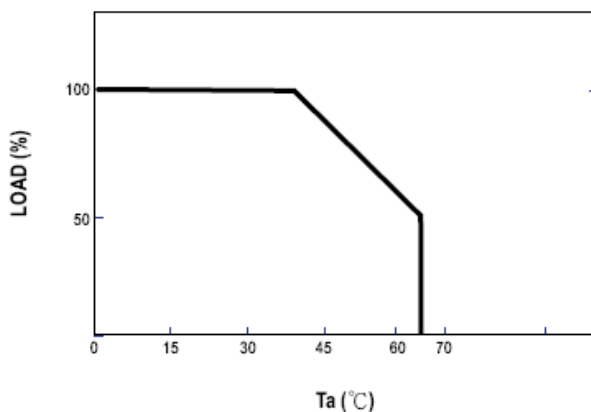
P1J	
P/N	OUTPUT
CENTER	+



Standard plug: 3.3V,5V,7.5V R1B (option)



Derating Curve



Static Characteristics

